



ELEGANCY - price list 2018



Tarasola Elegance is a classic and comfortable development terrace, providing greater space for use. Perfect for home and restaurant terraces, hotels, cafes, bars and small gastronomy. Tarasola Elegance is the most universal and popular a model among all Tarasola products.

The structure consists of extruded aluminum profiles load-bearing, woven fabric roof and visor systemic, which acts as a cover for the material. The roofing in the standard is made of three-layer Technical fabric Techprotect, which is fully watertight, 100% shading, resistant to heating and penetration of UV rays. Tarasola opened Elegance together with radiant heaters, integrated lighting and sliding side glazing a product that protects against changing conditions weather. Free water drainage system integrated into the structure will allow for comfortable use of pergolas also during rain. Extremely Stable construction is resistant to wind forces up to 120 km / h. A set of all these features makes Tarasola Elegance a perfect, fully functional product for the cover any space.



SPECIFICATION

The structure is made of extruded aluminum
Control of the electric motor as standard
Water drainage system as standard
Driplux roofing fabric in standard (extra charge as possibility for exchange for another type of material)
Possibility of powder coating in any RAL color
Available in wall mounted and free-standing version
Modular connection option
Product resistant to wind power up to 120 km / h
Possibility of installing a system cover for folded fabric
Option of selecting additional equipment:
lighting
glazing
screener blinds
radiant heaters
wind, solar and rain sensors



COULORS

CONSTRUCTION



9010ST
White Colour similar
to RAL9010
(in standard)



7016ST
Anthracite-Metallic Colour
similar to RAL7016
(in standard)



1013
Cream Colour
(in standard)

ADDITIONAL



Any RAL palette colour
(surcharge) + 10%



Wood grain paintworks
(surcharge) +20%

WIND BEAMS



9016
White Colour
(in standard)

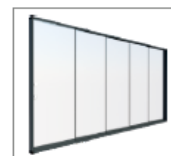


1013
Cream Colour
(in standard)

ADDITIONAL



Any RAL palette colour
(surcharge) + 5%



Glazing



Screener Zip



LED Light Spot



Radiant heaters

FABRICS

DRIPLUX (in standard)
EXPANSION 1 (surcharge)
SUNWORKER CRISTAL (surcharge)
SOLTIS W 96 (surcharge)

FABRICS STANDARD COULORS

<input type="checkbox"/>	<input type="checkbox"/>	white/white	<input type="checkbox"/>	<input type="checkbox"/>	burgundy/ champagne
<input type="checkbox"/>	<input type="checkbox"/>	champagne/ champagne	<input type="checkbox"/>	<input type="checkbox"/>	anthracite/ champagne
<input type="checkbox"/>	<input type="checkbox"/>	grey/ champagne	<input type="checkbox"/>	<input type="checkbox"/>	green/ champagne

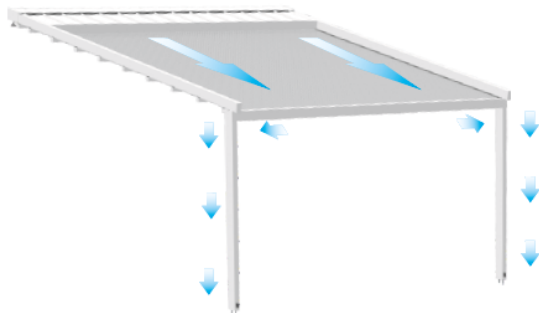
SYSTEM COVER FOR FOLDED FABRIC

-possibility of building with a system cover (surcharge)

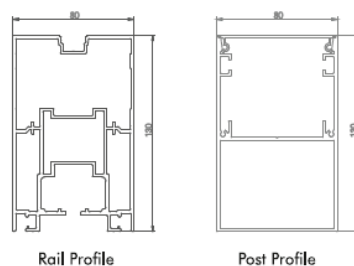
Machinery Directive 2006/42 / WE. Regulation on construction products CPR / 305/2011 demonstrating that the harmonized standards and / or technical documentation listed below have been applied:
PN - EN 13561 + A.1: 2009 - EXTERNAL CURVES - operational requirements including safety;
PN - EN 1932: 2013 - 09 - EXTERNAL CURTAINS AND BLINDS AND RESISTANCE TO WIND LOADS - TEST METHODS



WALL MOUNTED MODEL



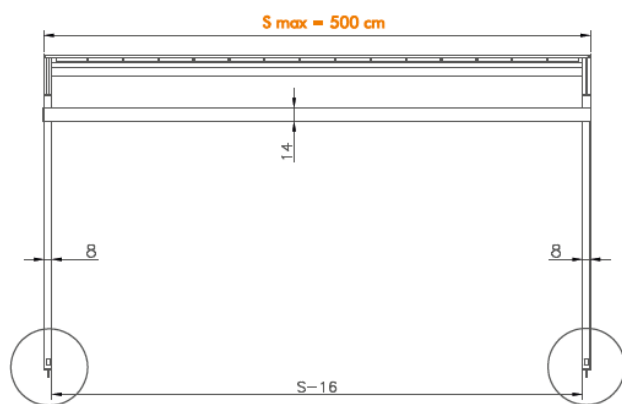
PROFILE CROSS-SECTIONS



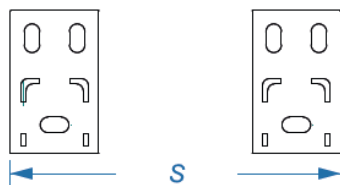
Rail Profile

Post Profile

FRONT VIEW

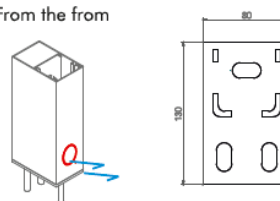


LOCATION OF FOOT DETAILS

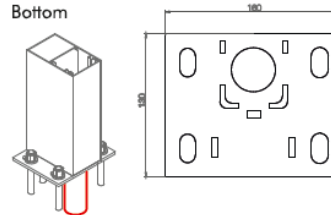


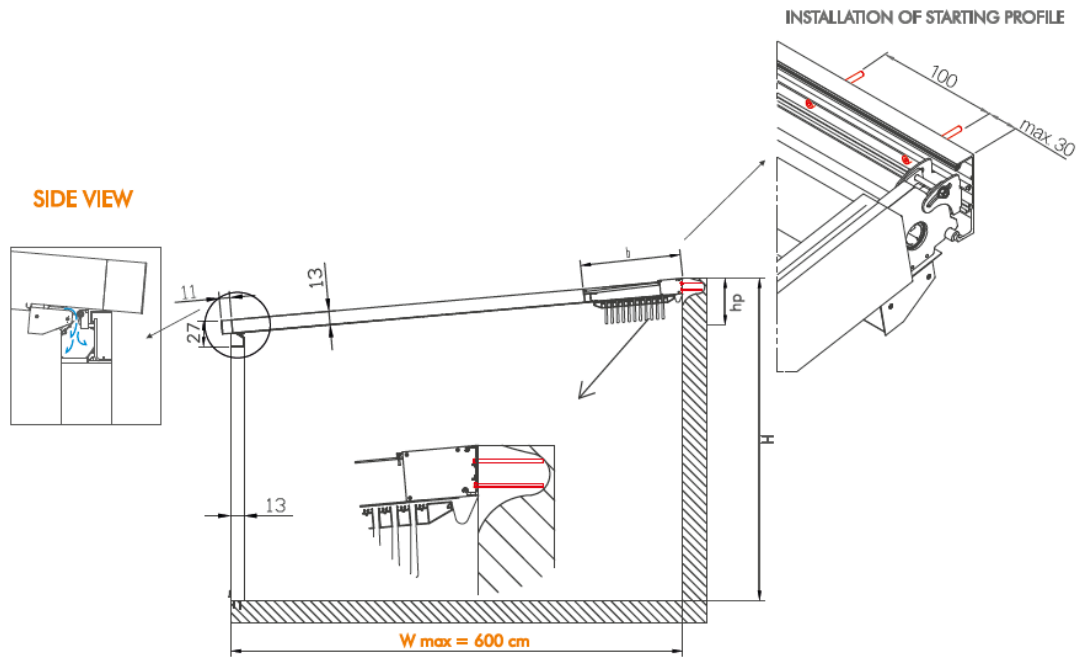
WATER DRAINAGE

From the front

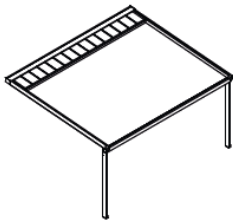


Bottom

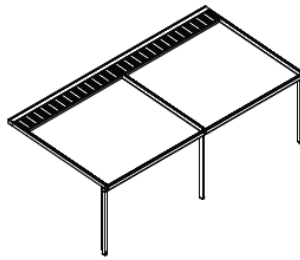




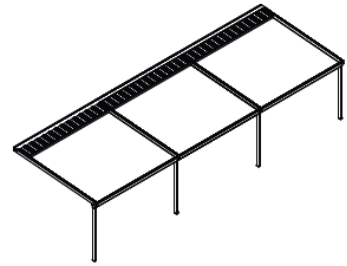
WALL MOUNTED MODEL



1 module
Width max - 500cm
Projection max - 600cm



2 modules
Width max - 950cm
Projection max - 600cm



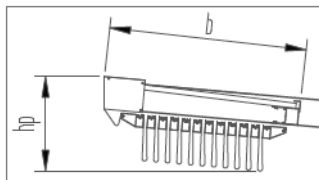
3 modules
Width max - 1350cm
Projection max - 600cm

*Rail - always in axis of the leg.



FABRIC PACKAGE

Tables with package calculations and its cover



P [cm]	b[cm]	l [szt]	hp [cm]
200	47	4	45
250	53	5	45
300	59	6	46
350	65	7	46
400	71	8	47
450	77	9	47
500	83	10	48
550	89	11	49
600	95	12	50

Package height - hp depends on the spacing between wind beams.

On request, the distance between the beams can be reduced, while reducing the package height.

S [%]	L [cm]
Minimal slope	Maximum rails spacing
6-7	200
7-8	200-250
8-10	250-300
10-12	300-350
12-14	350-400
14-16	400-450
≥ 17	450-500

Maximum spacing of rails relative to the slope.